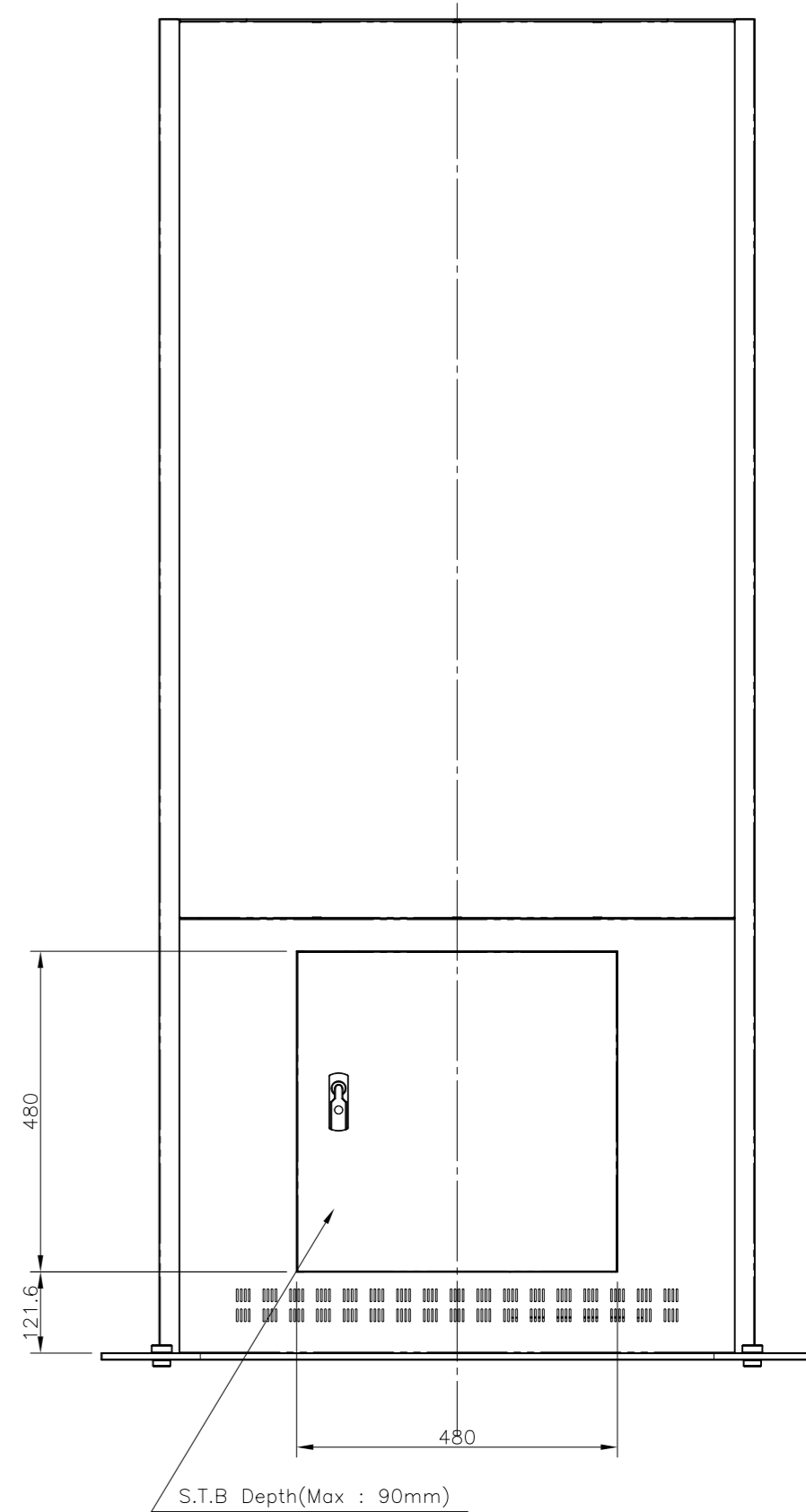
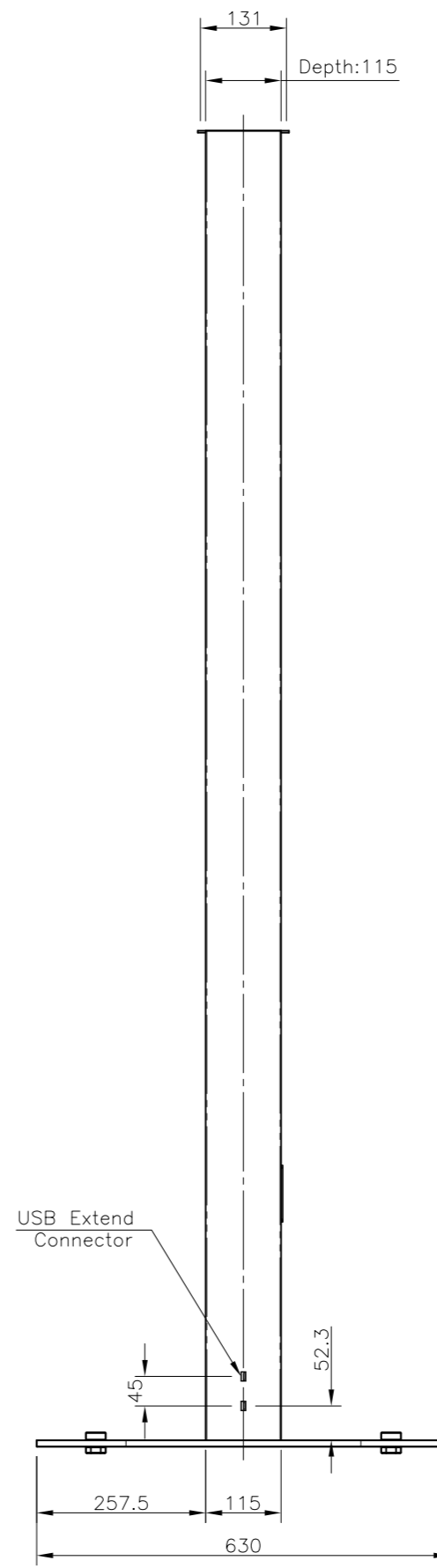
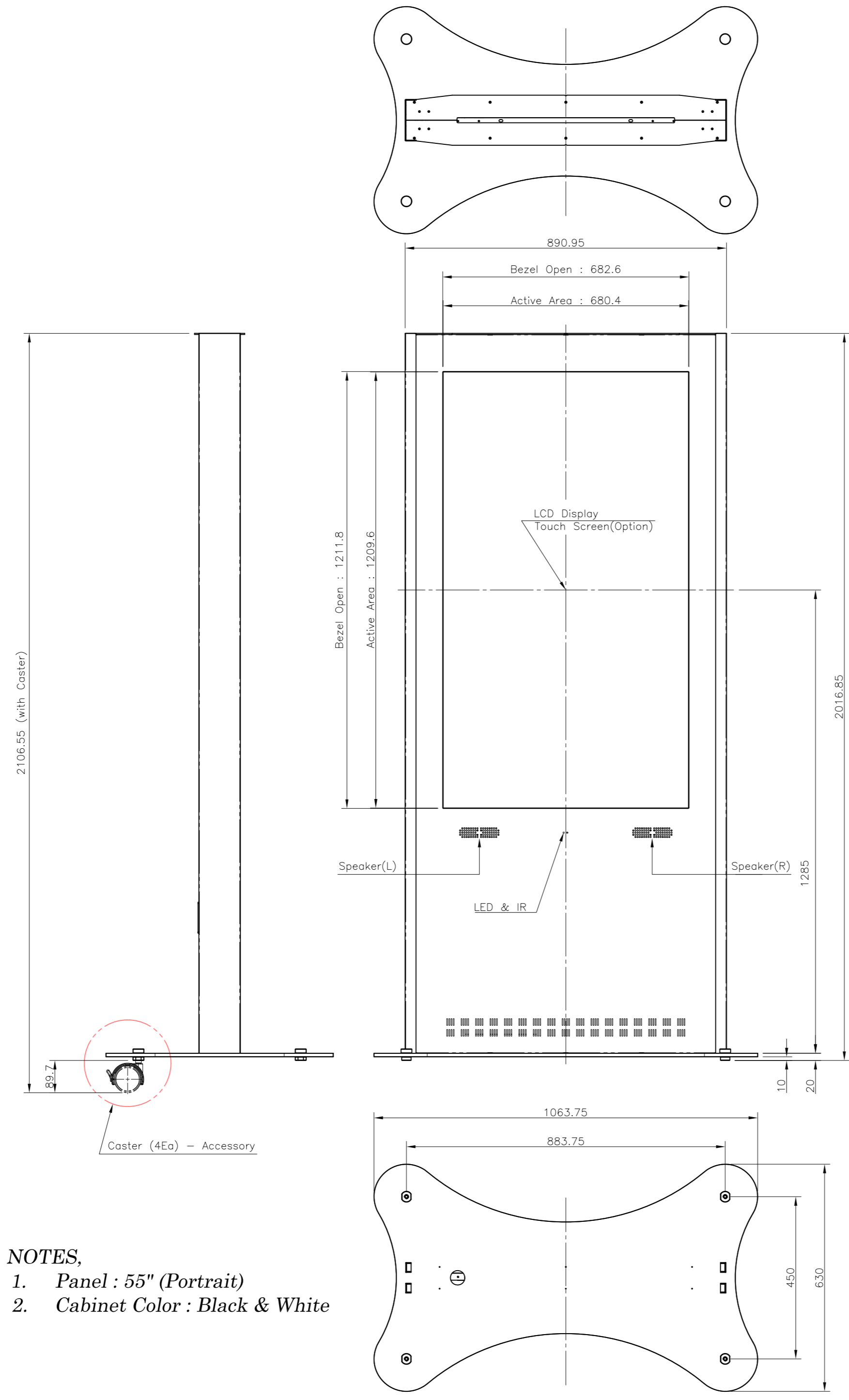
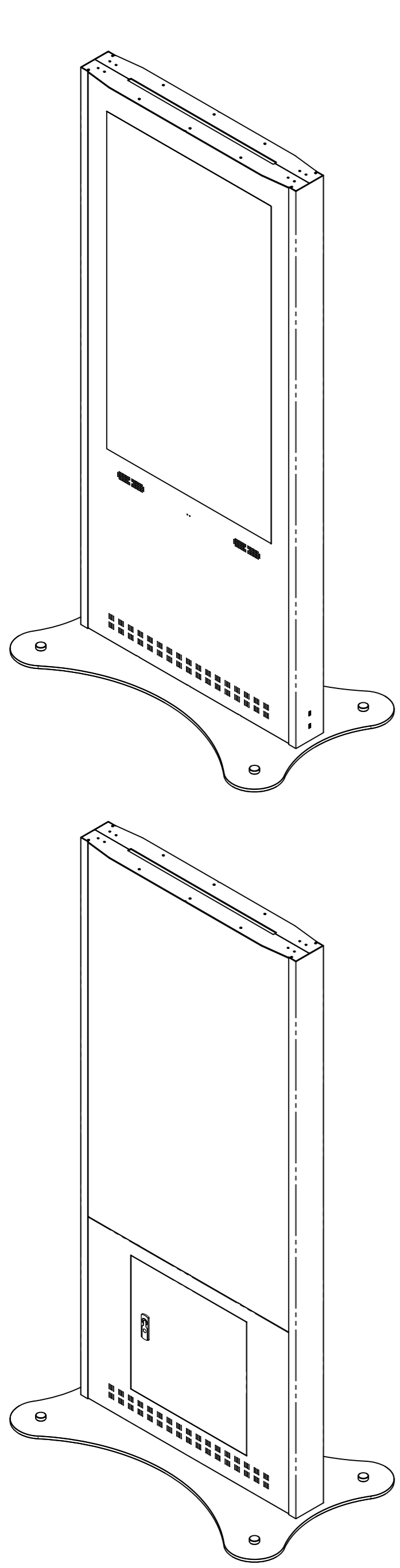


REV. NO		REV. HISTORY	LTR	ECO NO	DATE	APPR'L
DWG	PART					
00	00	INITIAL RELEASE	-	-	-	-



NOTES,

1. Panel : 55" (Portrait)
2. Cabinet Color : Black & White

DRAWN	PLANNED	CHECKED	APPROVED	UNLESS OTHERWISE SPECIFIED ALL DIMENSION ARE IN MILLIMETERS	ANGLE 3rd.	TITLE :	UNIT :
S.W.SEO	S.H.JANG	S.H.JANG	Y.T.KIM	TOLERANCES ARE: LINEAR : X ± 0.20 X ± 0.1 XX ± 0.01 ANGLES : ± 0.1° RADII UNLESS NOTED : R 0.3	SCALE : 1/10	D55ESB EXTERIOR VIEW	mm
14.10.08	14.10.08	14.10.08	14.10.08			DWG(PART) NO. D55ESB_001	TYPE : ASSY
HYUNDAI MODEL NAME (CODE): D55ESB FILE NAME : LAYOUT_D55ESL_D55ESD_141008.DWG				CUSTOMER: HDT	DWG REV : 00	SIZE : A2	