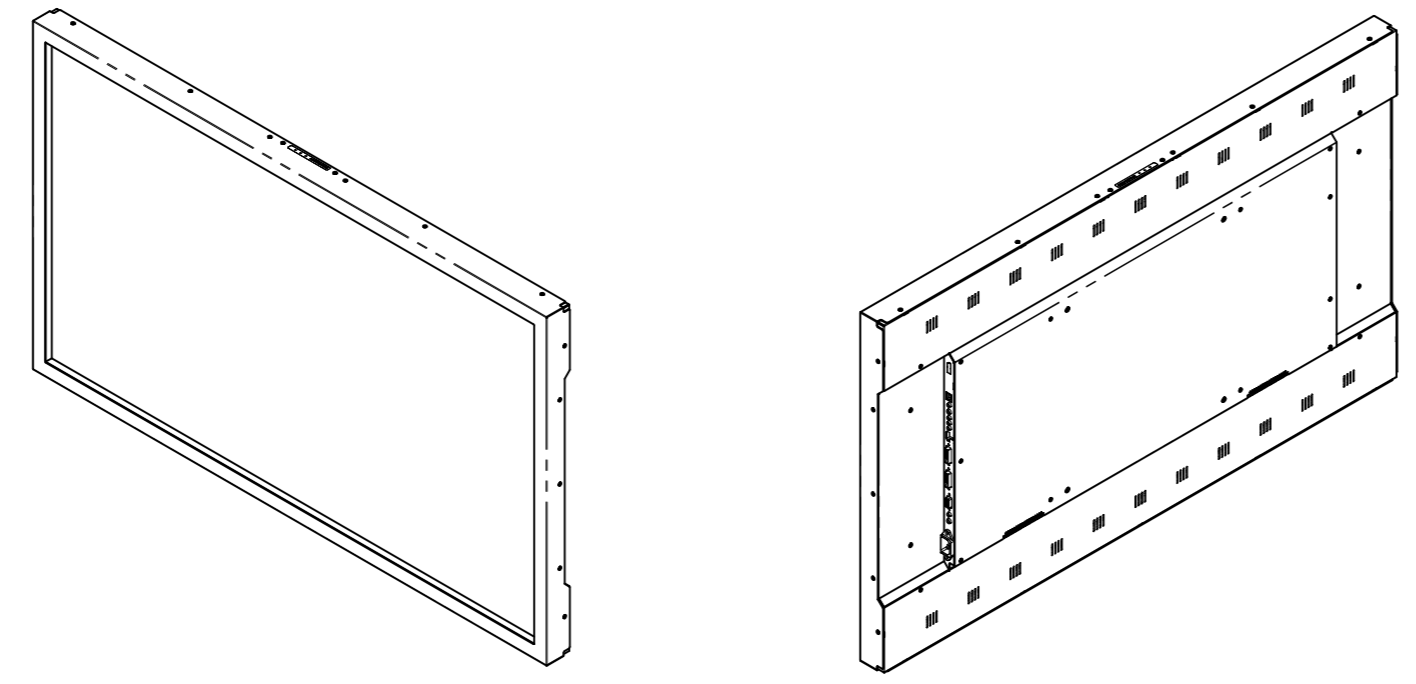
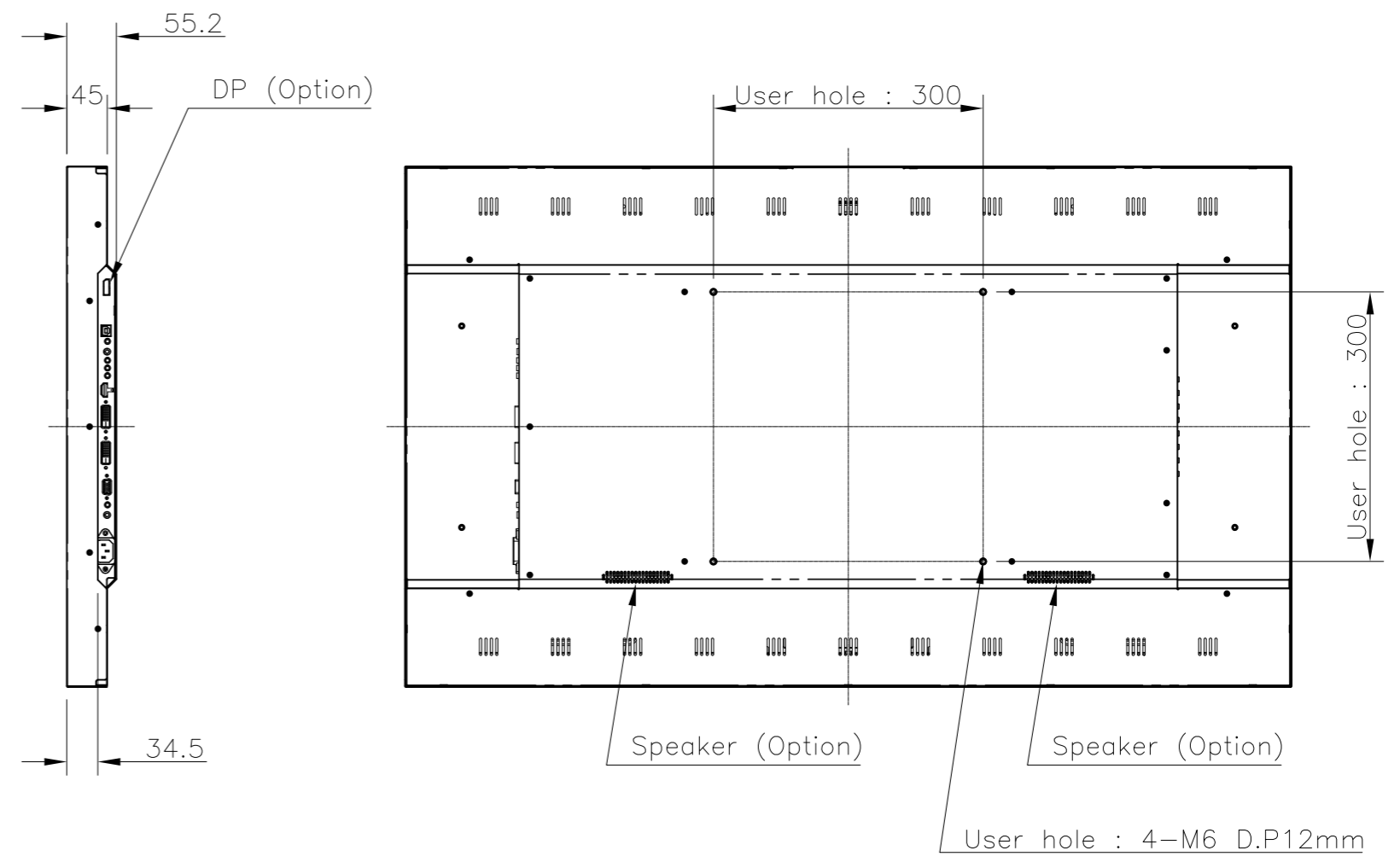
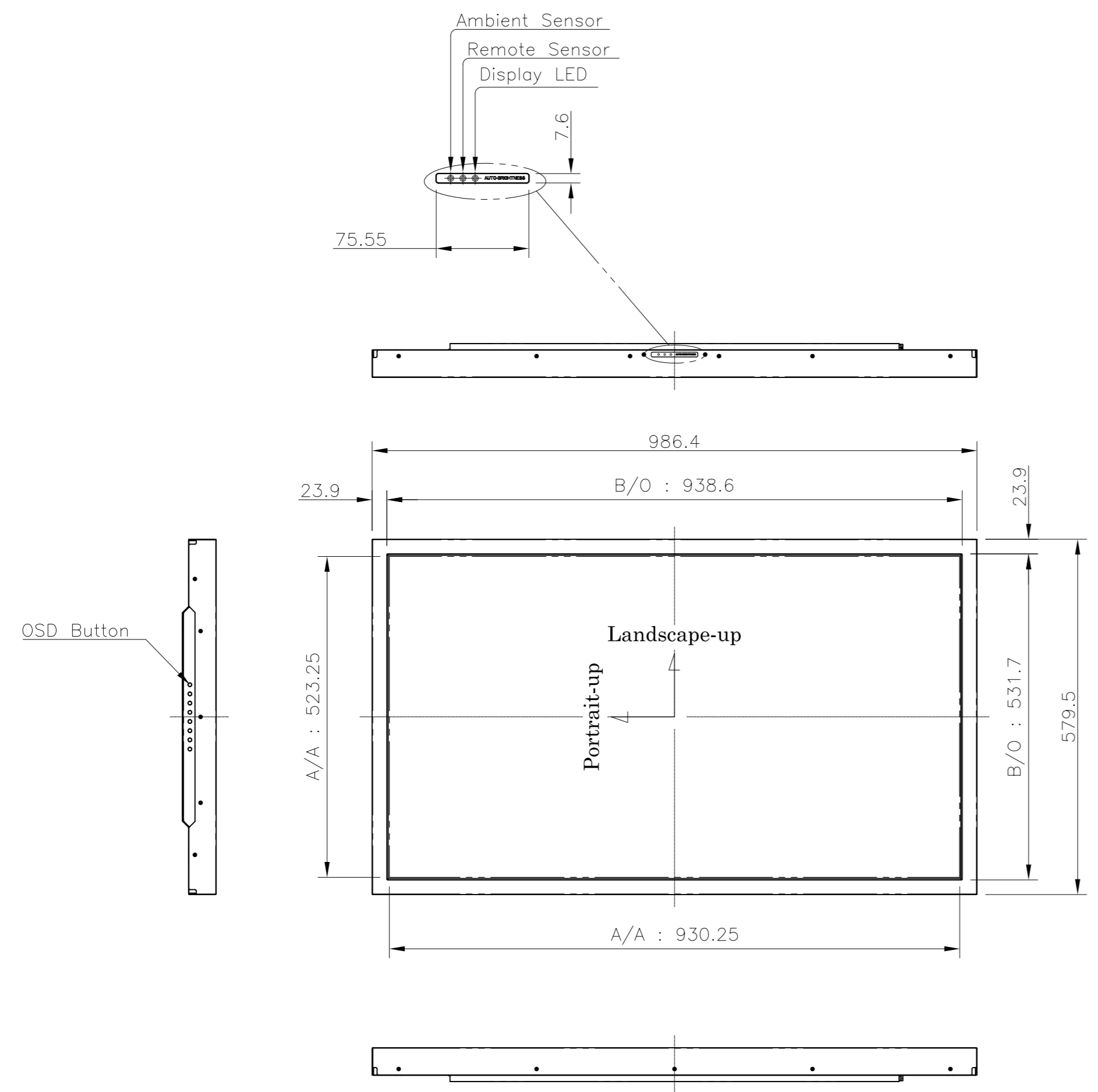


This drawing is the property of HDIBT Corp. and should not be disclosed to any third party without prior permission of HDIBT Corp..

A B C D E F G H I J

REV. NO		REV. HISTORY	LTR	ECO NO	DATE	APPR'L
DWG	PART					
00	00	INITIAL RELEASE	-	-	-	-
01	01	SPEAKER HOLE ADD.	01	LM-130802	'13.08.22	-



NOTES,

1. LCD Panel : 42"
2. Weight : 25.6 Kg
3. Material : E.G.I
4. Color : Black

DRAWN	PLANNED	CHECKED	APPROVED	UNLESS OTHERWISE SPECIFIED ALL DIMENSION ARE IN MILLIMETERS	ANGLE 3rd.	TITLE : D42EMC EXTERIOR VIEW	UNIT : mm
S.W.SEO	S.H.JANG	S.H.JANG	Y.T.KIM		SCALE : 1/10		TYPE : ASSY
'14.10.27	'14.10.27	'14.10.27	'14.10.27	TOLERANCES ARE : LINEAR : X ± 0.2 .X ± 0.1 .XX ± 0.01 ANGLES : ± 0.1° RADII UNLESS NOTED : R 0.3		DWG(PART) NO. D42EMC_001	SIZE : A3
				MODEL NAME (CODE): D42EMC	CUSTOMER. HDIBT		DWG REV : 00
				FILE NAME : LAYOUT_D42EM_141027_APPV.DWG		SHT NO : 1/1	