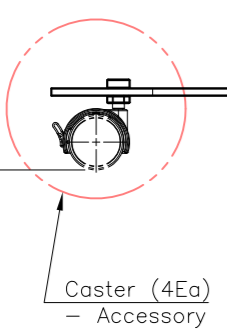
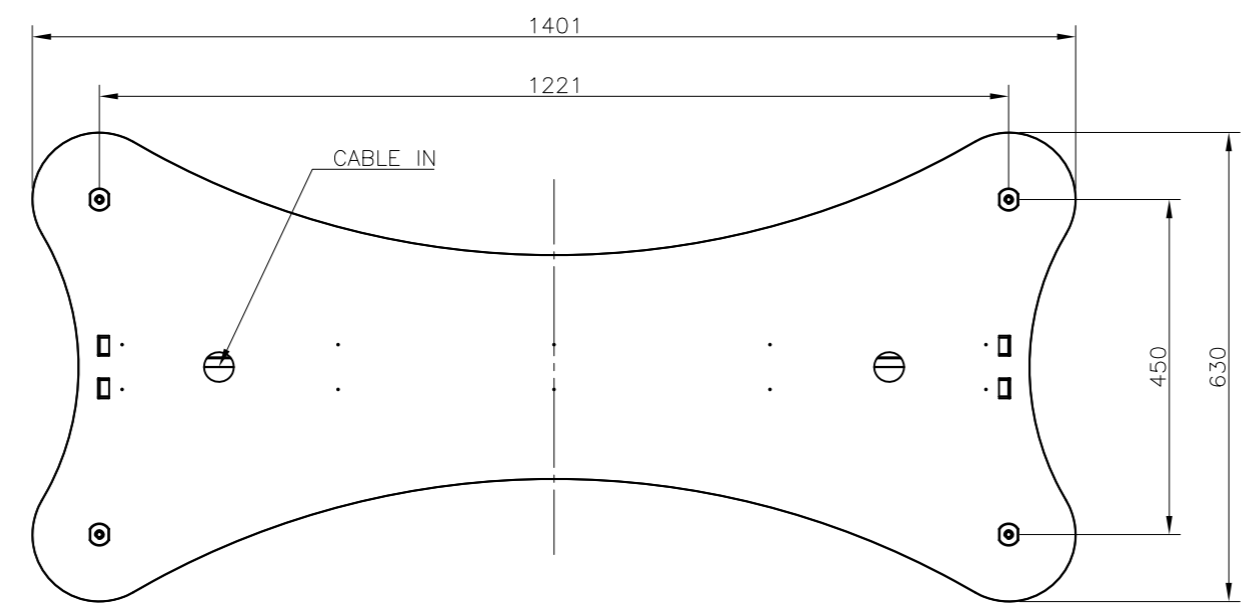
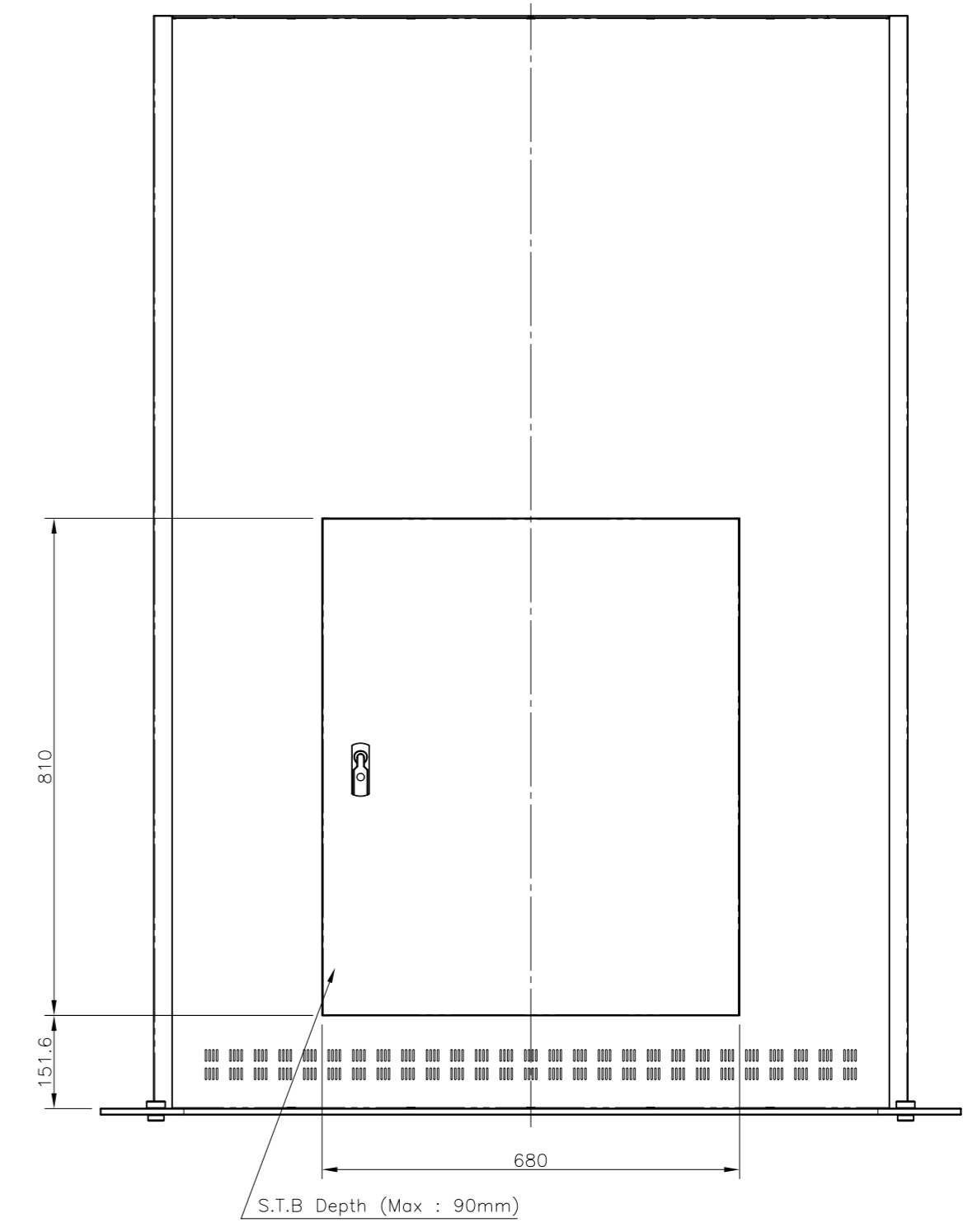
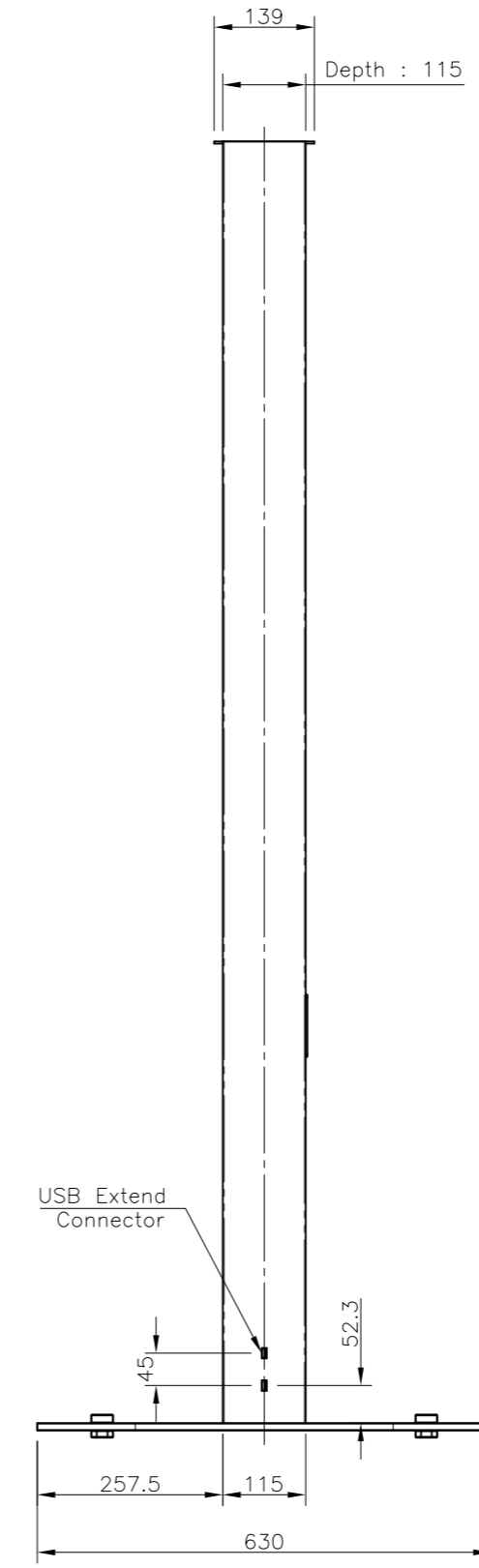
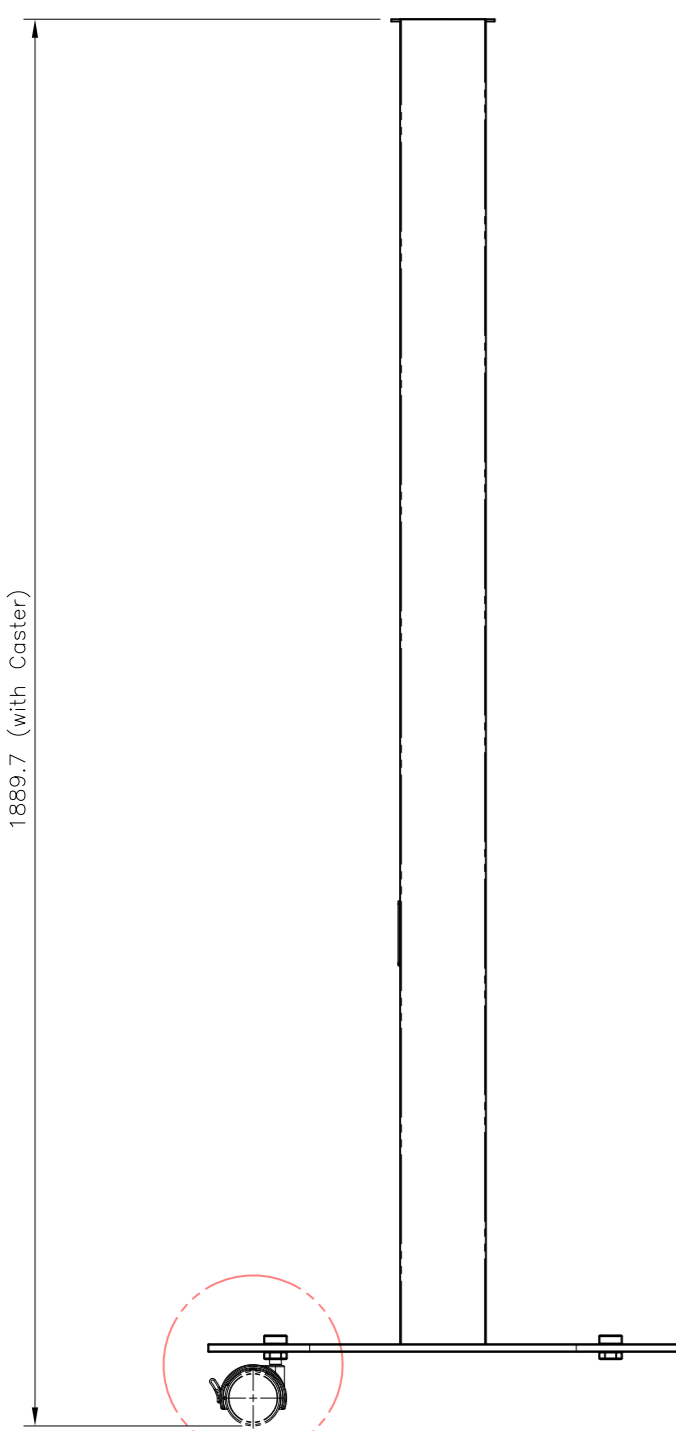
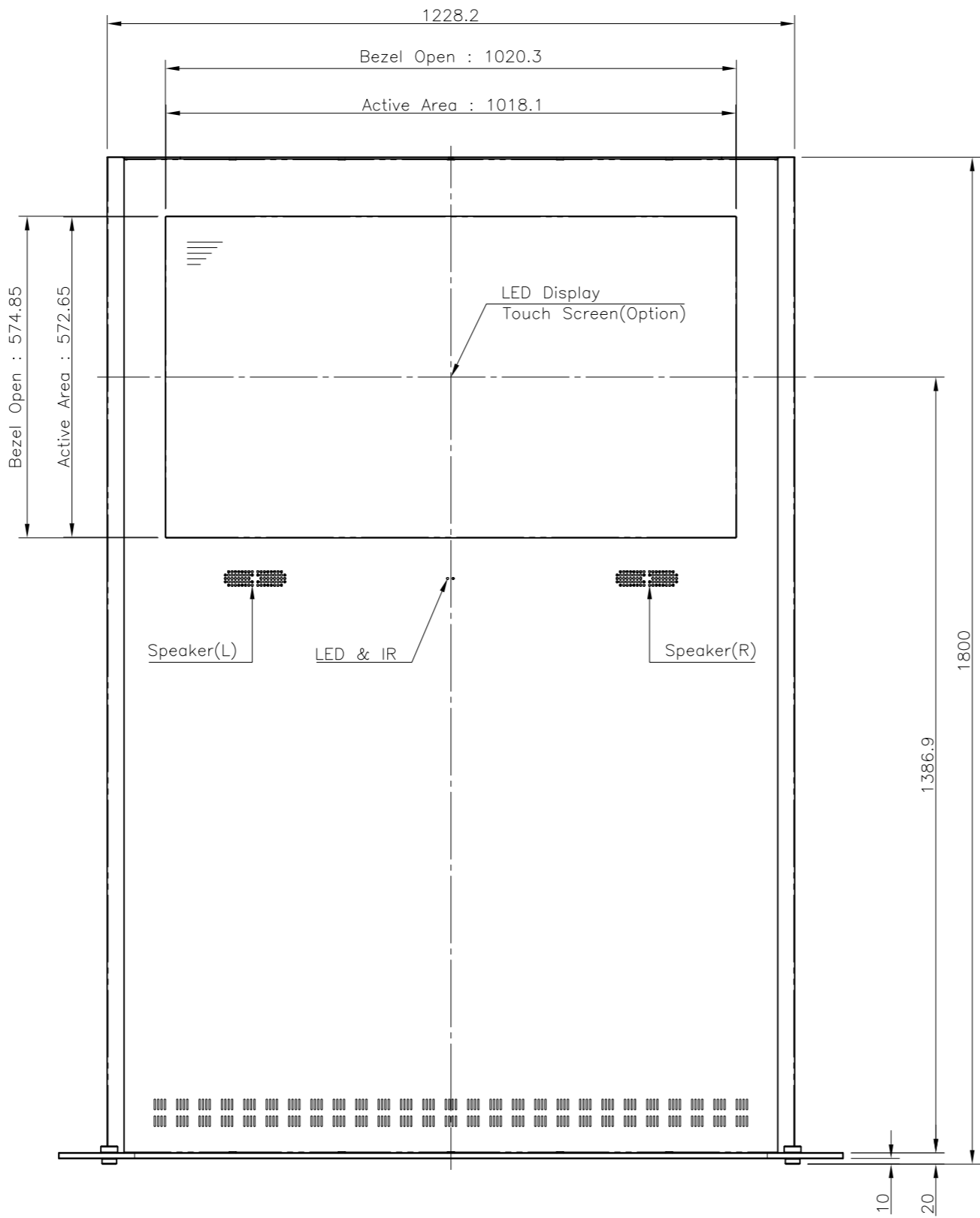
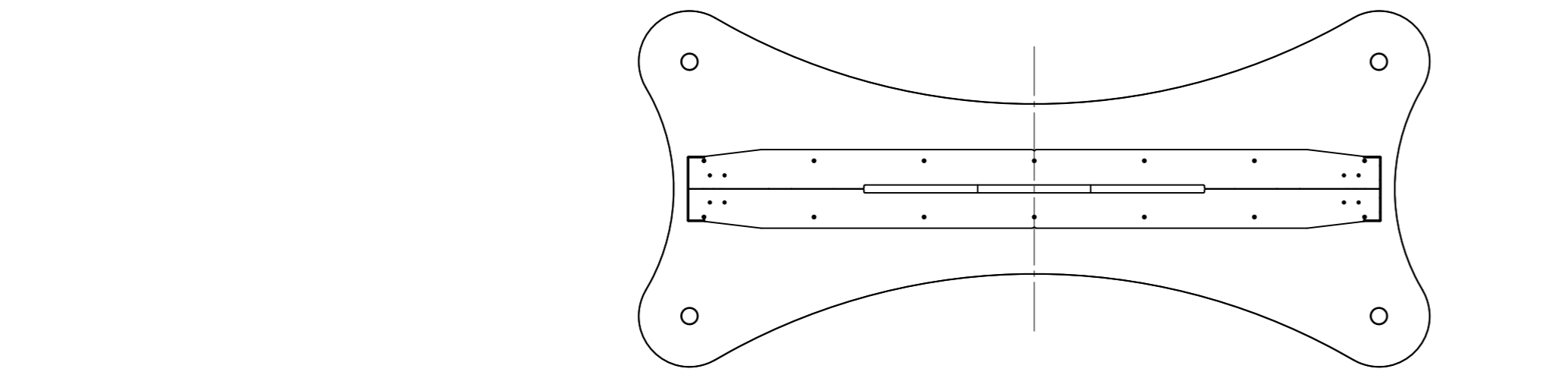
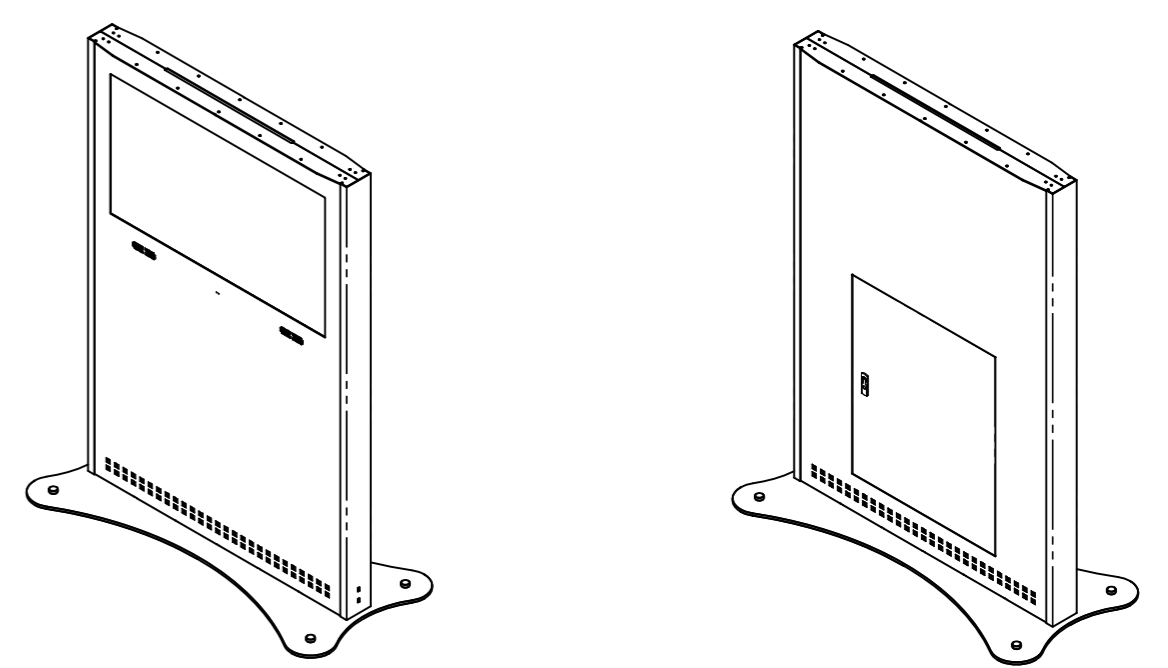


REV. NO		REV. HISTORY	LTR	ECO NO	DATE	APPR'L
DWG	PART					
00	00	INITIAL RELEASE	-	-	-	-



- NOTES,**
1. Panel : 46" (Landscape)
 2. Cabinet Color : Black & White
 3. Weight : T.B.D

DRAWN	PLANNED	CHECKED	APPROVED	UNLESS OTHERWISE SPECIFIED ALL DIMENSION ARE IN MILLIMETERS	ANGLE 3rd.	TITLE : D46ESB Landscape EXTERIOR VIEW	UNIT : mm
S.W.SEO	S.H.JANG	S.H.JANG	Y.T.KIM	TOLERANCES ARE: LINEAR : X ± 0.20 X ± 0.1 XX ± 0.01 ANGLES : ± 0.1° RADI : UNLESS NOTED : R 0.3	SCALE : 1/10		TYPE : ASSY
'14.06.30	'14.06.30	'14.06.30	'14.06.30	MODEL NAME (CODE): D46ESB_Landscape	CUSTOMER: -	DWG REV : 00	SIZE : A2
				FILE NAME : LAYOUT_D46ESB_LANDSCAPE_140630.DWG	SHT NO : 1/1	DWG(PART) NO. D46ESB_Landscape_001	