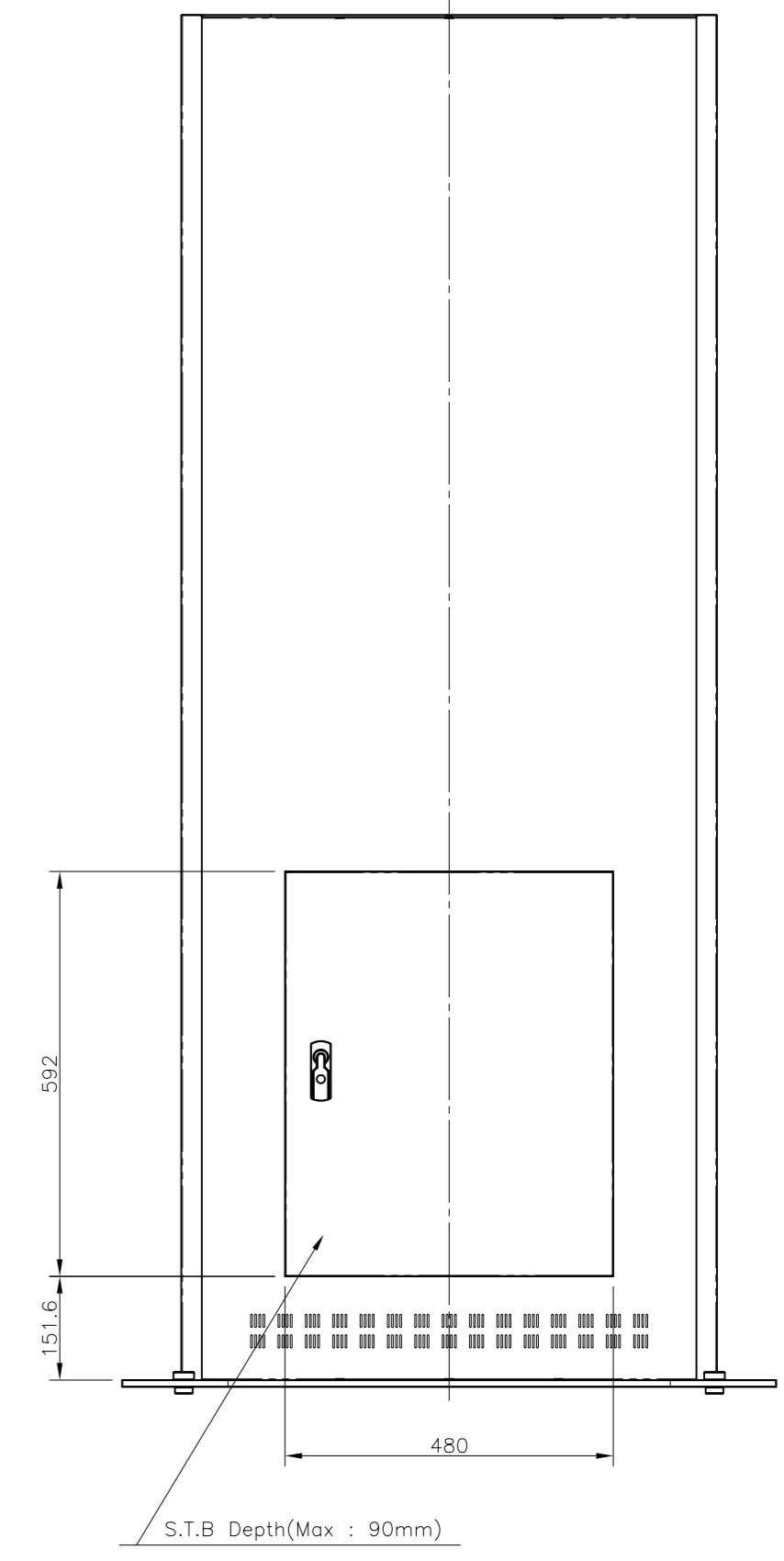
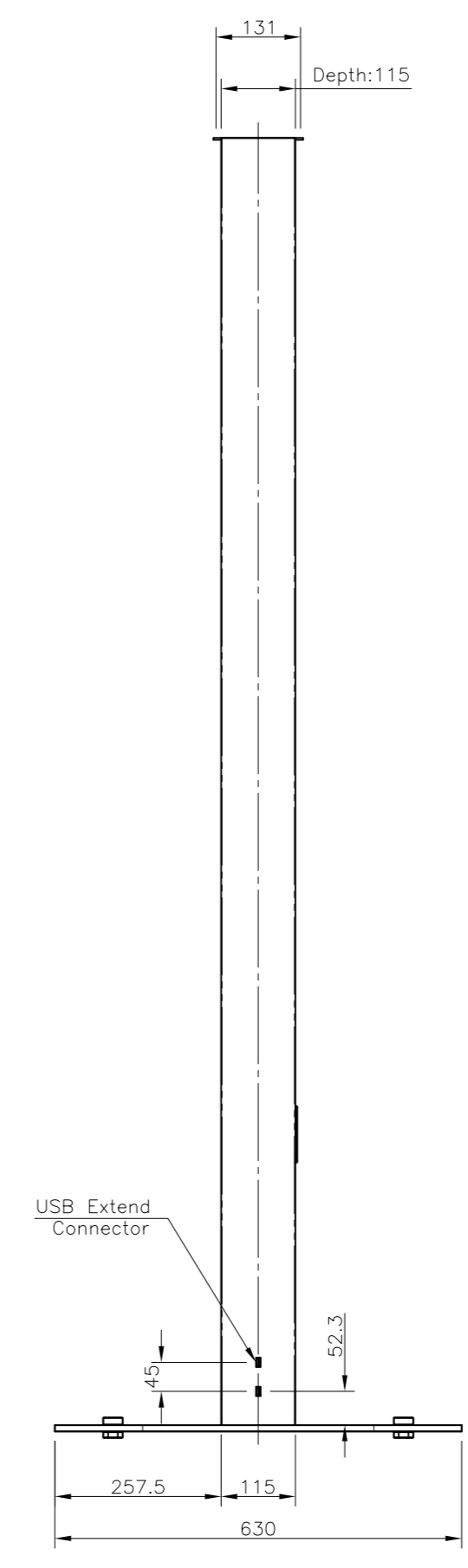
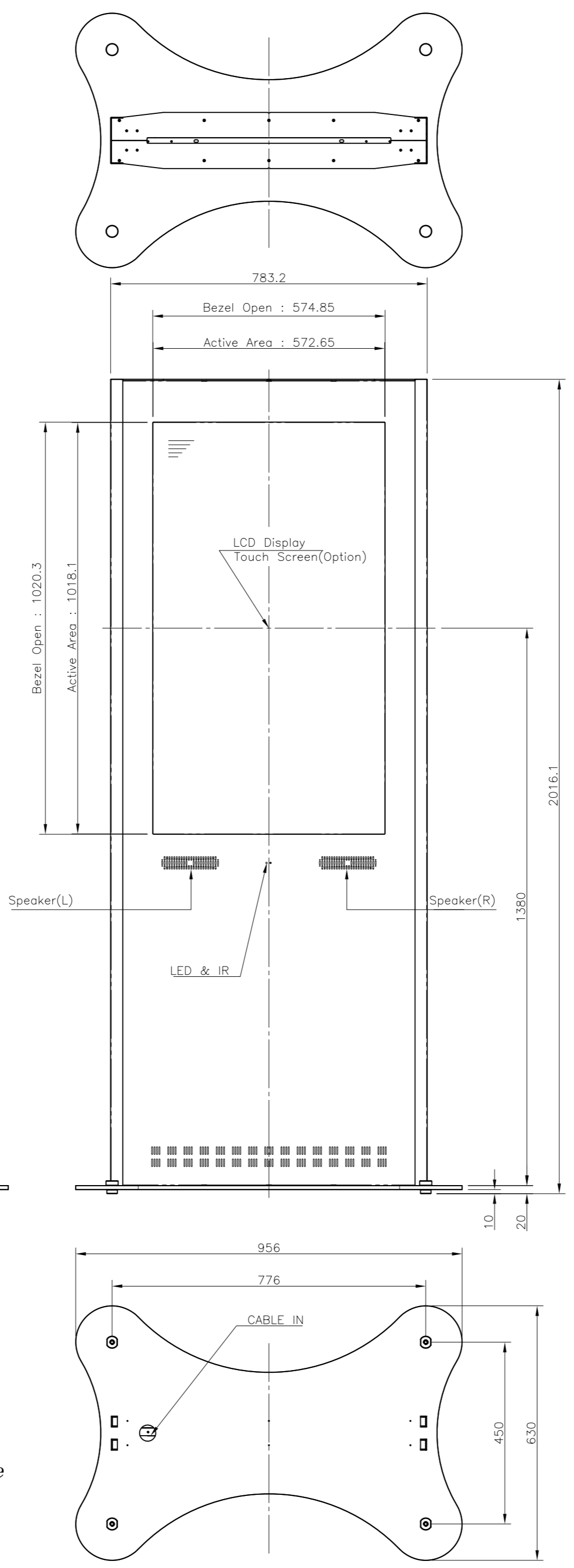
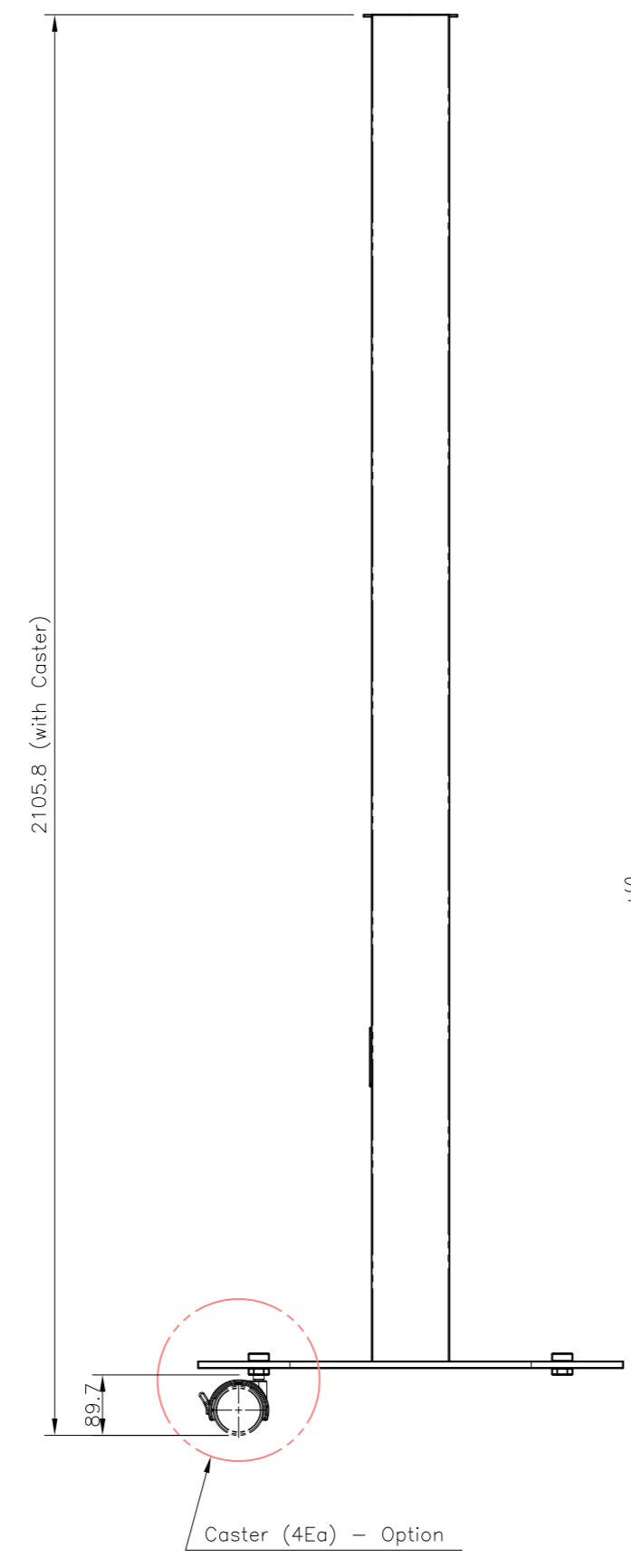
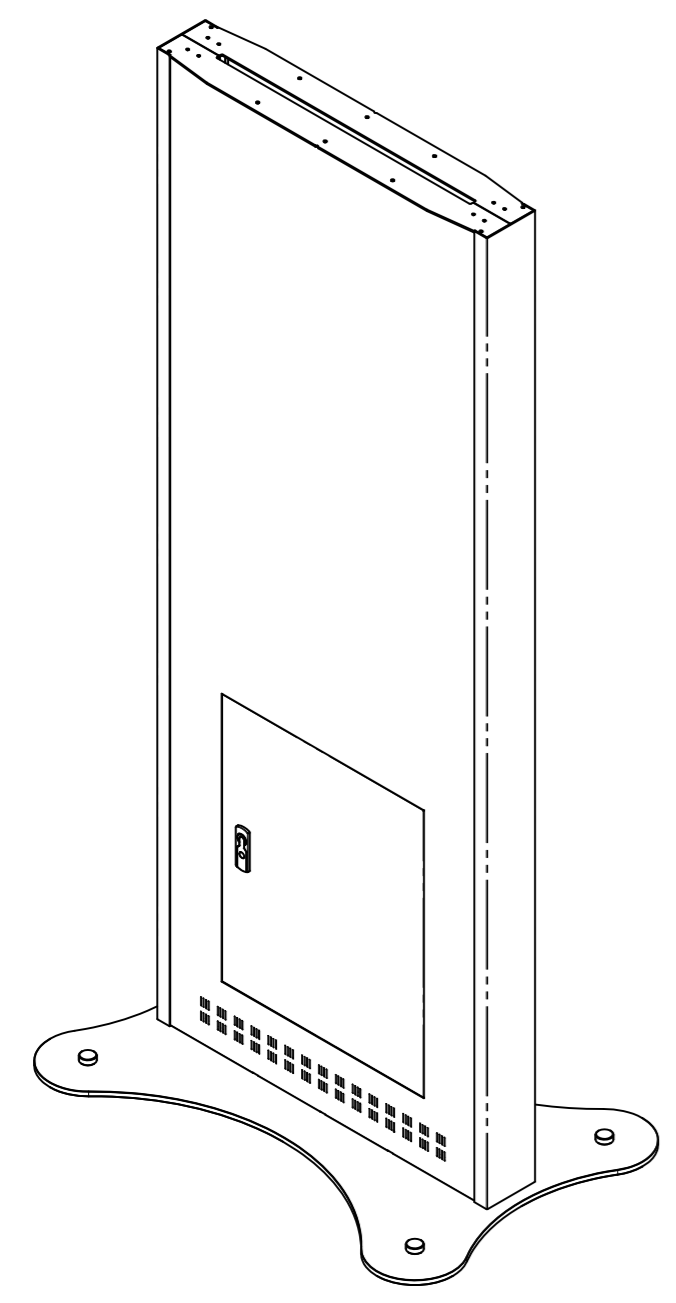
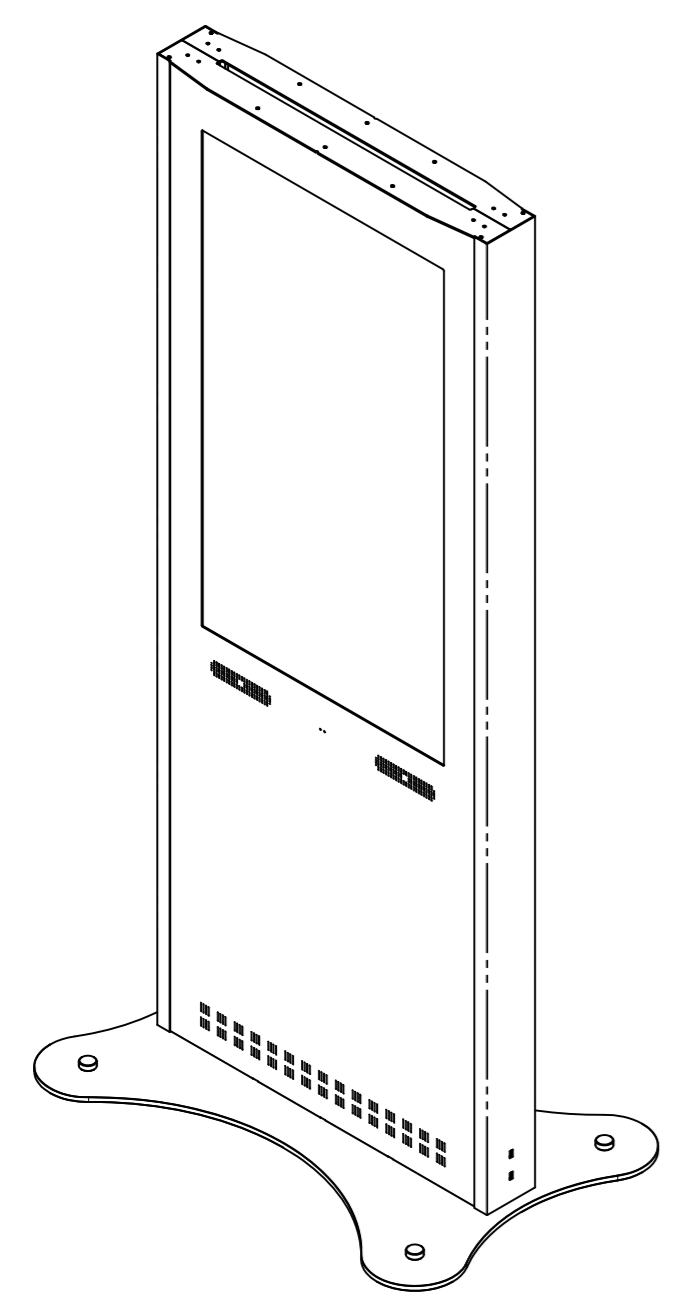


REV. NO		REV. HISTORY	LTR	ECO NO	DATE	APPR'L
DWG	PART					
00	00	INITIAL RELEASE	-	-	-	-



- NOTES,**
- Panel : 46" (Portrait)
 - Cabinet Color : Black & White
 - Weight : T.B.D

DRAWN S.H.JANG 14.07.22	PLANNED S.H.JANG 14.07.22	CHECKED -	APPROVED Y.T.KIM 14.07.22	UNLESS OTHERWISE SPECIFIED ALL DIMENSION ARE IN MILLIMETERS TOLERANCES ARE: LINEAR : X ± 0.20 X ± 0.1 XX ± 0.01 ANGLES : ± 0.1° RADIUS UNLESS NOTED : R 0.3	ANGLE 3rd.	SCALE 1/10	TITLE D46ESB EXTERIOR VIEW	UNIT mm
				MODEL NAME (CODE) D46ESB	CUSTOMER HDT	DWG REV. 00	DWG(PART) NO. D46ESB_001	TYPE ASSY
				FILE NAME LAYOUT_D46ESI_V4_140509_APPV.DWG		SHT NO. 1/1		SIZE A2

This drawing is the property of HDIBT Corp. and should not be disclosed to any third party without prior permission of HDIBT Corp.